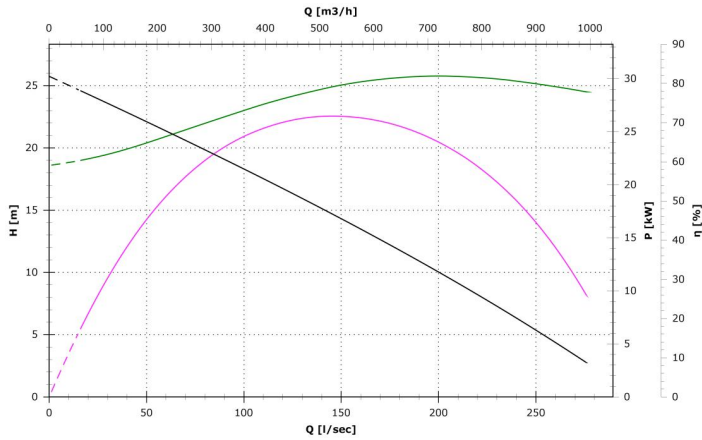


SBN 4000/4/200 A1LT/50



Dual-channel closed impeller
 Rated power output (P2) 30 kW
 Free passage 105x140 mm

Technical data

Number of poles	4
Rated power output (P2)	30 kW
Input power (P1)	35.9 kW
Nominal absorbed current (In)	61 A
rated power factor (cos phi)	0.85
Nominal power frequency (f)	50 Hz
Rated nominal voltage(Vn)	400/700 V
N° phases	3
IPMotor	68
ATEX thermal class	not applicable
insulation class	H

Constructive characteristics

Outlet	DN200 PN10
Outlet orientation	H (horizontal)
Type of starting	Y/D
Weight	410 kg
Standard cable type	H07RN-F 4G10 H07RN-F 4G10 H07RN-F 4G1.5
EX cable type	N.A.
Standard paint type	Bicomponent epoxy paint
Maximum acoustic pressure	70 dB
Set of standard mechanical seals	Two Silicon carbide mechanical seals (SiC)
Probe for water presence	✓

Use limits

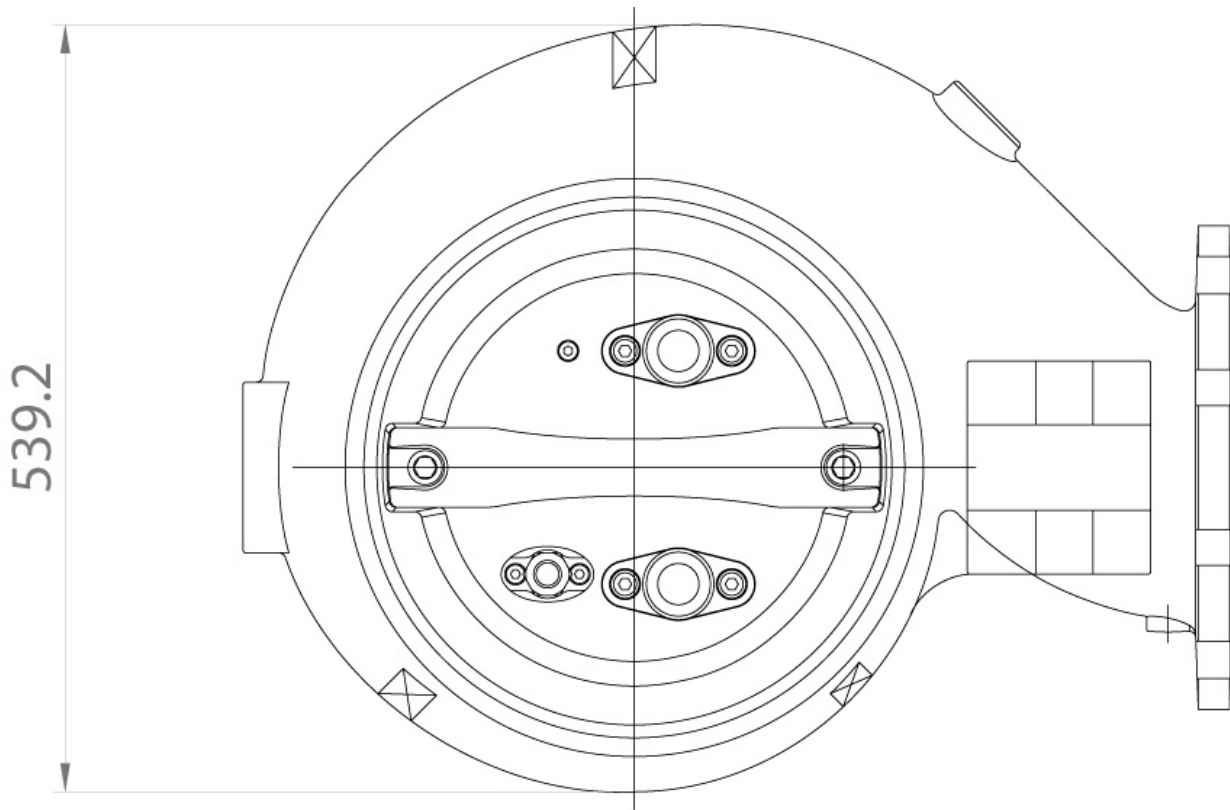
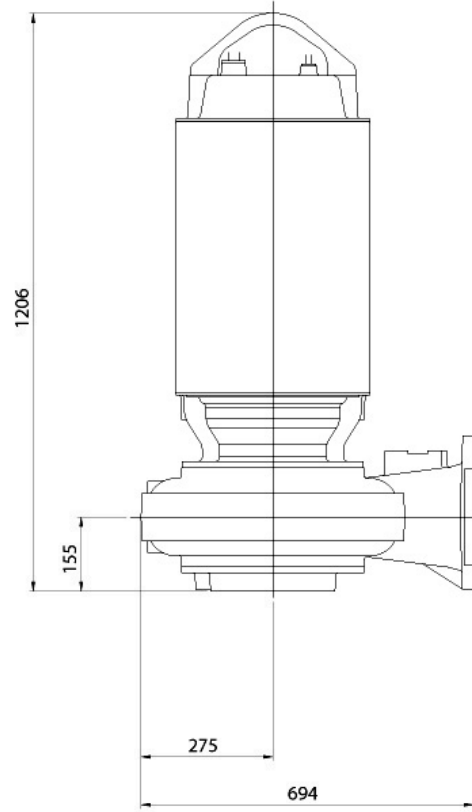
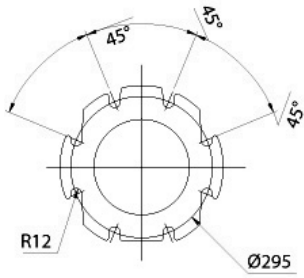
Maximum operating temperature	40 °C
Maximum immersion depth	20 m
PH of treated fluid	6 to 11 pH
max starts per hour	10

Materials

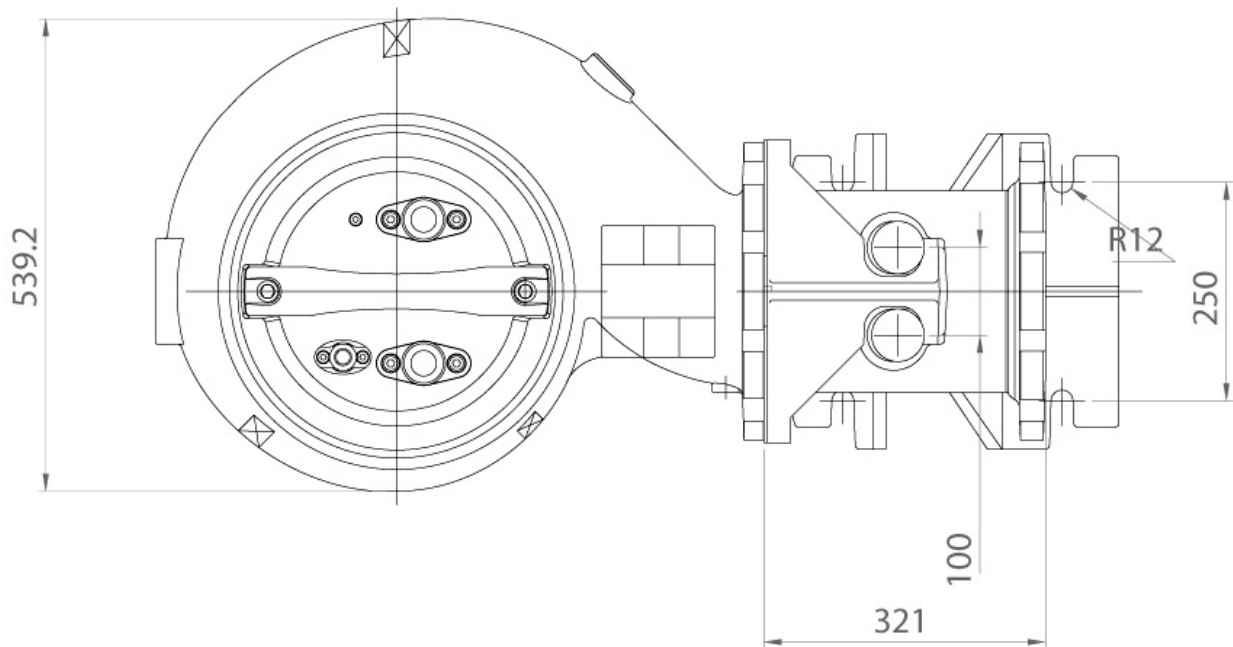
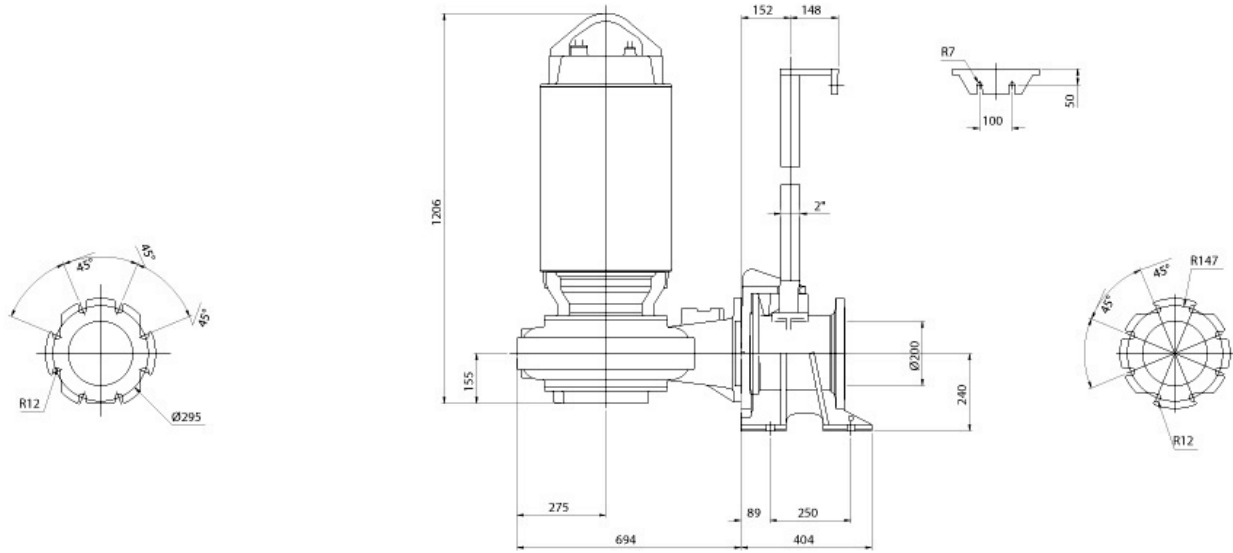
Case	Grey Cast Iron - EN-GJL 250 (02)
Shaft	Stainless Steel - AISI 420 (23)
Cooling jacket	Carbon Steel - Fe360 ÷ Fe370 (55)
Standard gasket	Rubber - NBR (77)
EX gasket	Not applicable (00)
Nuts and bolts	Stainless Steel - Class A2-70 (42)
Hydraulic	Grey Cast Iron - EN-GJL 250 (02)
Impeller	Grey Cast Iron - EN-GJL 250 (02)
Cutting disk	Not applicable (00)
Cutter	Not applicable (00)
Grid	Not applicable (00)

Test limits

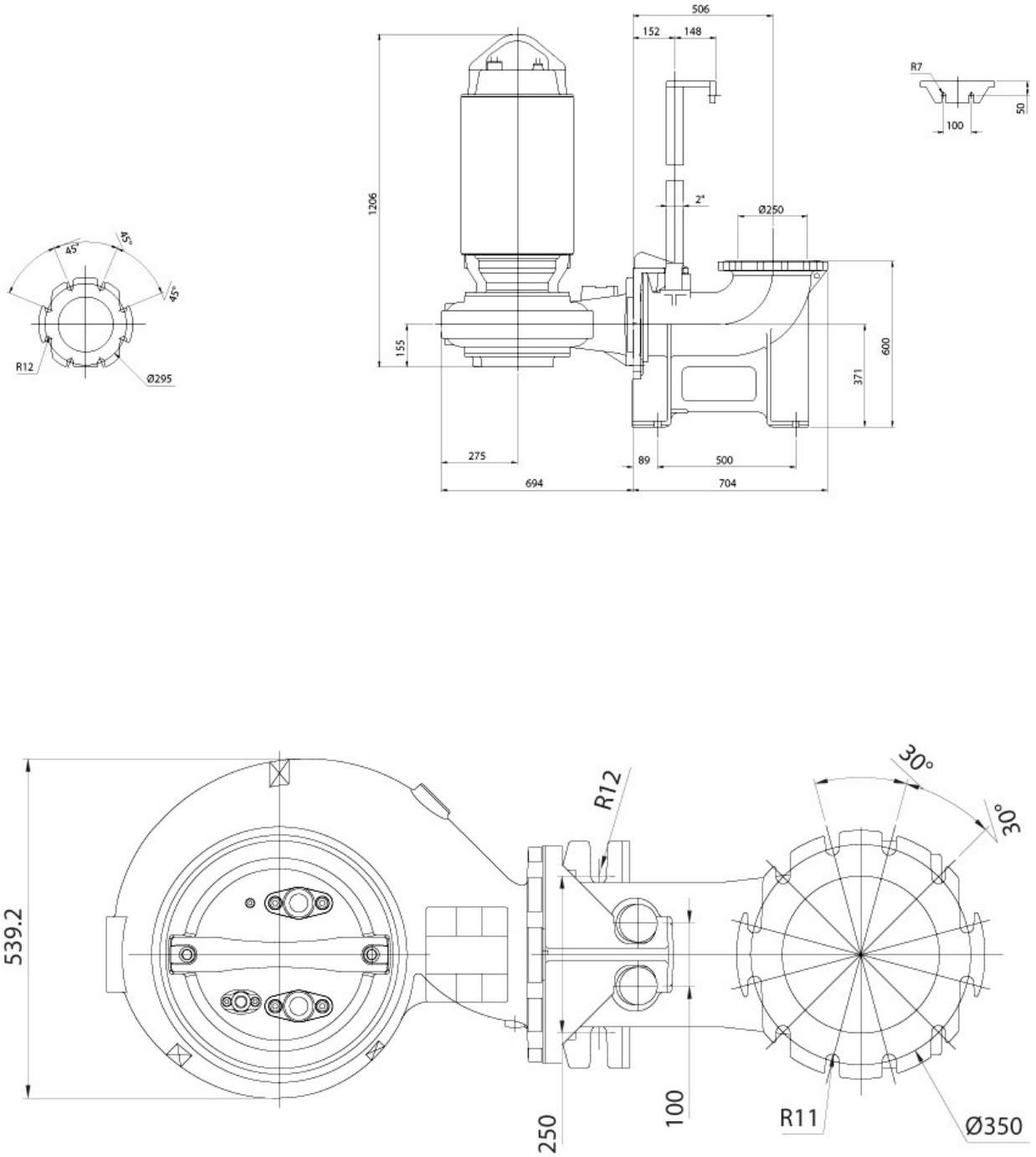
Pump



Bottom coupling devices with horizontal outlet



Bottom coupling devices with vertical outlet



Inlet bends

